



Manual



**LED Street Bar MK II**  
**16x8W RGBW 4in1 IP65**

---

## Table of contents

1. Safety instructions .....	3
1.1. For safe and efficient operation .....	3
2. Designated use .....	4
2.1. Overhead installation .....	5
3. Introduction .....	7
3.1. Product overview .....	7
3.2. Dimensions .....	7
4. Connections .....	8
4.1. Electrical connections .....	8
4.2. DMX connections .....	8
4.3. DMX connection with terminator .....	8
5. Control .....	9
5.1. Structure of the menu .....	9
6. DMX chart .....	10
6.1. DMX mode 1 (1 channel) .....	10
6.2. DMX mode 2 (4 channels) .....	11
6.3. DMX mode 3 (7 channels) .....	11
6.4. DMX mode 4 (11 channels) .....	12
6.5. DMX mode 5 (19 channels) .....	13
6.6. DMX mode 5 (32 channels) .....	14
6.7. DMX mode 6 (35 channels) .....	15
7. Technical data .....	17

## 1. Safety instructions



- This device is for indoor and outdoor use.
- All modifications to the device will void the warranty.
- Repairs are to carry out by skilled personnel only.
- Use only fuses of the same type and original parts as spare parts.
- Make sure to unplug the power supply before opening the housing.

### 1.1. For safe and efficient operation

#### **Be careful with heat and extreme temperature**

Avoid exposing it to direct rays of the sun or near a heating appliance.  
Not put it in a temperature bellow 32°F /0°C, or exceeding 104°F /40°C.

#### **To avoid placing on un-stable location**

Select a level and stable location to avoid vibration.

#### **Do not use chemicals or volatile liquids for cleaning**

Use a clean dry cloth to wipe off the dust, or a wet soft cloth for stubborn dirt.

#### **If out of work, contact sales agency immediately**

Any troubles arose, remove the power plug soon, and contact with an engineer for repairing, do not open the cabinet by yourself, it might result a danger of electric shock.

#### **Take care with the power cable**

Never pull the power cable to remove the plug from the receptacle, be sure to hold the plug. When not using the device for an extended period of time, be sure to disconnect the plug from the receptacle.

#### **Important:**

**Damages caused by the disregard of this user manual are not subject to warranty. The dealer will not accept liability for any resulting defects or problems. Make sure the electrical connection is carried out by qualified personnel. All electrical and mechanical connections have to be carried out according to the European safety standards.**

## 2. Designated use

This device was developed for professional use on stages, in discos, theatres etc. The device is only approved for a connection up to 230V 50/60 Hz AC voltage and for indoor and outdoor use.

Regular breaks during operation increase the lifetime of your device.

Avoid convulsions or any form of forceful impact during the installation or the start-up of the device.

Make sure that the device is not exposed excessive heat, humidity or dust at the place of installation. Take care that no cables are lying around. You would endanger your own safety and also the safety of a third party.

It is not allowed to operate or store the device in an environment in which spray water, rain, humidity or fog is expected. Humidity or very high atmospheric humidity could reduce the isolation of the device and could cause deathly electric shocks. If you use fog devices the device has not be exposed to a direct smoke jet. There has to be a safety distance of at least 0,5m between this device and the fog machine. Make sure that the saturation of the fog has to enable a visibility of at least 10m.

Operate the device not during thunderstorms. Surge voltages could destroy the device. Unplug the power supply during thunderstorms.

During the installation the use of the mounting bracket is obligatory.

Surrounding objects or surfaces should not be in contact with the device.

Make sure that during the installation and removal of the device the area below the place of installation is basically cordoned off. This also applies to implementation of service.

The device has basically been protected by a suitable safety.

Make familiar yourself with the functions of the device before start-up. People without the experience should not handle with the device. The most cause of functional disorder is inappropriate handling.

Do not use chemicals or volatile liquids for cleaning. Use a clean dry cloth to wipe off the dust, or a wet soft cloth for stubborn dirt.

For transport use the original packing or designated accessory to avoid damages during the transport.

### **For reasons of safety unauthorized changes are forbidden.**

A usage of the device which differs from usages which are described in this manual can cause damages of the device. In that case the warranty expires. Additional you should notice that every differed usage is related with dangers and can cause e.g. an electrical short, fire, electric shock or crash.

## 2.1. Overhead installation



### **Danger of life!**

**You have to observe the regulations of BGV C1 (formerly VBG 70) and EN60598-2-17 Installations are to carry out by skilled personnel only.**

The suspension devices have to be build and measured so they can withstand for an hour the tenfold of the payload without suffering a permanent detrimental deformation.

Basically installation has to be made by using a second separate suspension. This can be e.g. a suitable net. The second suspension must be designed and attached so no part of the installation can fall down in case of failure.

During construction, reconstruction and deconstruction unnecessary stay in the range of moving areas, on lightning bridges, under elevated work stations or any other danger zones is forbidden.

The operator is obliged to following safety-related and mechanical facilities:

- Before the first start-up or after critical changes before restarting it has to be checked by an expert.
- Review in the frame of the inspection test at least all four years by an expert. .
- Review by a qualified person at least once a year.

### **How to carry out the overhead installation:**

In tidal fall you should install the device out of the lounge area of people

**IMPORTANT!** Overhead installation requires a high level of experience. This includes knowledge of calculating the payload, used installation material and safety inspections of the used material and the projector whereas the required experience is not limited to this. Do not try to carry out installation yourself under any circumstances if you are not qualified. Contact a professional installer. An inappropriate installation can lead to injuries and/or damaged properties.

It is not allowed to install the device in the grip area of people.

If the device may hang from the ceiling or from high beams, the use of truss systems is mandatory. The device may not be installed so it can swing freely in the room.

Please note: Crashing down items can cause serious injuries! Do not install the projector, if you doubt the safety of a possible installation form!

Before installation make sure that the mounting surface has the ability to carry the tenfold point load of the own weight of the device.

Mount the device with the mounting-bracket to your trussing system using an appropriate clamp.

During overhead installation the device must be always secured by a safety rope which is designed to hold the twelfold weight of device. Only safety ropes with quick-release safety fastener elements may be used. Hang up the safety rope in the hole of the mounting bracket. Direct the rope over the truss or an appropriate fastening point. Hang up the end in the fastening element and tie up the locking nut. A safety rope once exposed to failing load or damaged may not be used furthermore.

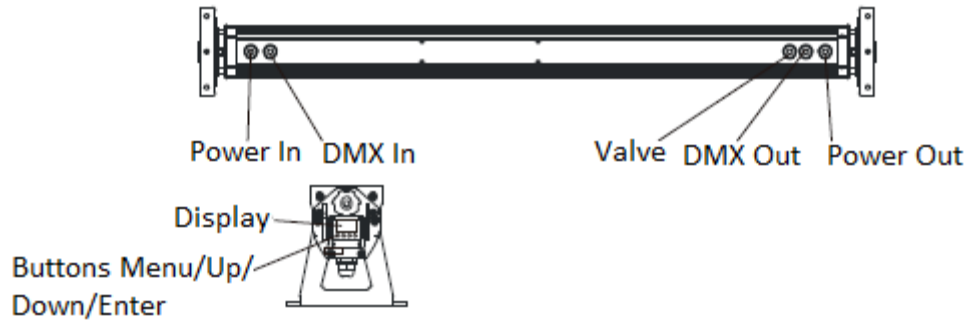
**The maximum drop exceed must not exceed 20cm.**

A safety rope once exposed to failing load or damaged may not be used furthermore.  
Adjust the desired inclination angle via the mounting bracket and tighten the screw.

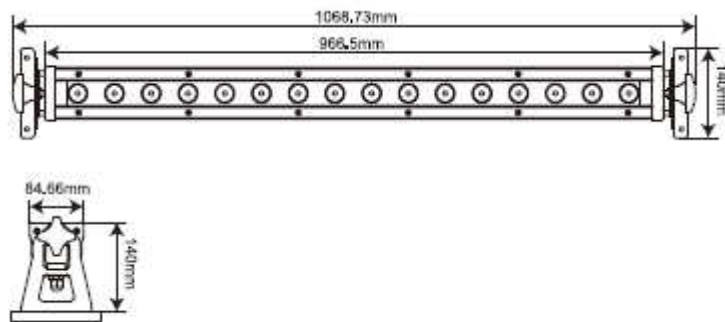
### 3. Introduction

Thank you for buying the **LED Street Bar MK II 16x8W RGBW 4in1 IP65**. It is a powerful device. For a successful installation and operation, please read this manual carefully.

#### 3.1. Product overview



#### 3.2. Dimensions



## 4. Connections

### 4.1. Electrical connections

If you wish to change the power supply settings, see the chapter Appendix. Connect the fixture to the mains with the enclosed power cable and plug. The earth has to be connected.

Cable (EU)	Cable (US)	Pin	International
Brown	Black	Live	L
Light blue	White	Neutral	N
Yellow/Green	Green	Earth	⊕

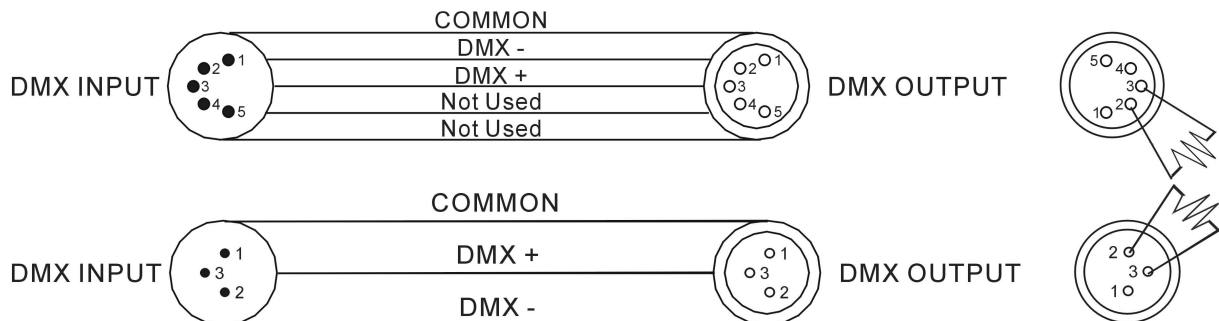
### 4.2. DMX connections

To make a DMX512 connection go ahead like it is described in the picture. Make sure that you use shielded cable. 3pole or 5pole XLR cables are suitable.

Important! After the last device the line has to be terminated. In order to do this you have to solder a 120Ω resistor between the pins Data + and Data -. You can solder this end resistor on a 3pin or 5pin XLR: Plug this adapter into the DMX output of the device.

### 4.3. DMX connection with terminator

Where the DMX cable has to run a long distance or the equipment is operated in an electrically noisy environment like a disco for installations, we recommend using a DMX terminator. This prevents corruption of the digital control signal by electrical noise. The DMX terminator is simply an XLR connector with a 120 Ω resistor between pins 2 and 3, which is then plugged into the XLR output socket of the last device in the series. Please look to the bottom drawings.





## 5. Control

Press MENU, to get to the menu. With UP/DOWN you can choose the required submenu. Confirm with ENTER. With UP/DOWN you can make the required settings. Confirm with ENTER.

NOTE! Your settings are not saved until the display is extinguished. This can take up to 30s.

### 5.1. Structure of the menu

Menu	Submenu 1	Submenu 2	Functions
Addr	A001 – A512		Setting the DMX address.
Chnd	1Ch		Choosing a DMX mode.
	4Ch		
	7Ch		
	11Ch		
	19Ch		
	32Ch		
	35Ch		
SLav	SLA		Activates the Master-Slave mode.
inFo	uer		Shows the current software version.
	tenP		Shows the current temperature.
Auto	Aut1 – Aut6	SP1 – SP9	Choosing an automatic mode and setting the speed.
CoLo	Co01 – Co51		Choosing a preset color.
StAt	r000 – r255		Dimmer red 0 - 100%
	G000 – G255		Dimmer green 0 – 100%
	b000 – b255		Dimmer blue 0 – 100%
	U000 – U255		Dimmer white 0 – 100%
	S00 – S25		Strobe slow - fast

## 6. DMX chart

### 6.1. DMX mode 1 (1 channel)

Channel	Value from	Value to	Function
1	0	4	No function
	5	9	Color 1
	10	14	Color 2
	15	19	Color 3
	20	24	Color 4
	25	29	Color 5
	30	34	Color 6
	35	39	Color 7
	40	44	Color 8
	45	49	Color 9
	50	54	Color 10
	55	59	Color 11
	60	64	Color 12
	65	69	Color 13
	70	74	Color 14
	75	79	Color 15
	80	84	Color 16
	85	89	Color 17
	90	94	Color 18
	95	99	Color 19
	100	104	Color 20
	105	109	Color 21
	110	114	Color 22
	115	119	Color 23
	120	124	Color 24
	125	129	Color 25
	130	134	Color 26
	135	139	Color 27
	140	144	Color 28
	145	149	Color 29
	150	154	Color 30
	155	159	Color 31
	160	164	Color 32
	165	169	Color 33
	170	174	Color 34
	175	179	Color 35
	180	184	Color 36
	185	189	Color 37
	190	194	Color 38
	195	199	Color 39
200	204	Color 40	

	205	209	Color 41
	210	214	Color 42
	215	219	Color 43
	220	224	Color 44
	225	229	Color 45
	230	234	Color 46
	235	239	Color 47
	240	244	Color 48
	245	249	Color 49
	250	254	Color 50
	255		Color 51

### 6.2. DMX mode 2 (4 channels)

Channel	Value from	Value to	Function
1	0	255	Dimmer red 0 – 100%
2	0	255	Dimmer green 0 – 100%
3	0	255	Dimmer blue 0 – 100%
4	0	255	Dimmer white 0 – 100%

### 6.3. DMX mode 3 (7 channels)

Channel	Value from	Value to	Function
1	0	7	Dimmer
	8	15	Automatic program 1
	16	23	Automatic program 2
	24	31	Automatic program 3
	32	39	Automatic program 4
	40	47	Automatic program 5
	48	55	Automatic program 6
	56	63	Automatic program 7
	64	71	Automatic program 8
	72	79	Automatic program 9
	80	87	Automatic program 10
	88	95	Automatic program 11
	96	103	Automatic program 12
	104	111	Automatic program 13
	112	119	Automatic program 14
	120	127	Automatic program 15
	128	135	Automatic program 16
	136	143	Automatic program 17
	144	151	Automatic program 18
	152	159	Automatic program 19
	160	167	Automatic program 20
	168	175	Automatic program 21
	176	183	Automatic program 22
184	191	Automatic program 23	

	192	199	Automatic program 24
	200	207	Automatic program 25
	208	215	Automatic program 26
	216	223	Automatic program 27
	224	231	Automatic program 28
	232	239	Automatic program 29
	240	247	Automatic program 30
	248	255	Automatic program 31
2	0	255	Strobe slow – fast
3	0	255	Dimmer 0 – 100%
4	0	255	Dimmer red 0 – 100%
5	0	255	Dimmer green 0 – 100%
6	0	255	Dimmer blue 0 – 100%
7	0	255	Dimmer white 0 – 100%

#### 6.4. DMX mode 4 (11 channels)

Channel	Value from	Value to	Function
1	0	7	Dimmer
	8	15	Automatic program 1
	16	23	Automatic program 2
	24	31	Automatic program 3
	32	39	Automatic program 4
	40	47	Automatic program 5
	48	55	Automatic program 6
	56	63	Automatic program 7
	64	71	Automatic program 8
	72	79	Automatic program 9
	80	87	Automatic program 10
	88	95	Automatic program 11
	96	103	Automatic program 12
	104	111	Automatic program 13
	112	119	Automatic program 14
	120	127	Automatic program 15
	128	135	Automatic program 16
	136	143	Automatic program 17
	144	151	Automatic program 18
	152	159	Automatic program 19
	160	167	Automatic program 20
	168	175	Automatic program 21
	176	183	Automatic program 22
	184	191	Automatic program 23
	192	199	Automatic program 24
	200	207	Automatic program 25
208	215	Automatic program 26	

	216	223	Automatic program 27
	224	231	Automatic program 28
	232	239	Automatic program 29
	240	247	Automatic program 30
	248	255	Automatic program 31
2	0	255	Strobe slow – fast
3	0	255	Dimmer 0 – 100%
4	0	255	Dimmer red 0 – 100% LED 1 – 8
5	0	255	Dimmer green 0 – 100% LED 1 – 8
6	0	255	Dimmer blue 0 – 100% LED 1 – 8
7	0	255	Dimmer white 0 – 100% LED 1 – 8
8	0	255	Dimmer red 0 – 100% LED 9 – 16
9	0	255	Dimmer green 0 – 100% LED 9 – 16
10	0	255	Dimmer blue 0 – 100% LED 9 – 16
11	0	255	Dimmer white 0 – 100% LED 9 – 16

### 6.5. DMX mode 5 (19 channels)

Channel	Value from	Value to	Function
1	0	7	Dimmer
	8	15	Automatic program 1
	16	23	Automatic program 2
	24	31	Automatic program 3
	32	39	Automatic program 4
	40	47	Automatic program 5
	48	55	Automatic program 6
	56	63	Automatic program 7
	64	71	Automatic program 8
	72	79	Automatic program 9
	80	87	Automatic program 10
	88	95	Automatic program 11
	96	103	Automatic program 12
	104	111	Automatic program 13
	112	119	Automatic program 14
	120	127	Automatic program 15
	128	135	Automatic program 16
	136	143	Automatic program 17
	144	151	Automatic program 18
152	159	Automatic program 19	
160	167	Automatic program 20	
168	175	Automatic program 21	
176	183	Automatic program 22	
184	191	Automatic program 23	
192	199	Automatic program 24	
200	207	Automatic program 25	
208	215	Automatic program 26	

	216	223	Automatic program 27
	224	231	Automatic program 28
	232	239	Automatic program 29
	240	247	Automatic program 30
	248	255	Automatic program 31
2	0	255	Strobe slow – fast
3	0	255	Dimmer 0 – 100%
4	0	255	Dimmer red 0 – 100% LED 1 – 4
5	0	255	Dimmer green 0 – 100% LED 1 – 4
6	0	255	Dimmer blue 0 – 100% LED 1 – 4
7	0	255	Dimmer white 0 – 100% LED 1 – 4
8	0	255	Dimmer red 0 – 100% LED 5 – 8
9	0	255	Dimmer green 0 – 100% LED 5 – 8
10	0	255	Dimmer blue 0 – 100% LED 5 – 8
11	0	255	Dimmer white 0 – 100% LED 5 – 8
12	0	255	Dimmer red 0 – 100% LED 9 – 12
13	0	255	Dimmer green 0 – 100% LED 9 – 12
14	0	255	Dimmer blue 0 – 100% LED 9 – 12
15	0	255	Dimmer White 0 – 100% LED 9 – 12
16	0	255	Dimmer red 0 – 100% LED 13 – 16
17	0	255	Dimmer green 0 – 100% LED 13 – 16
18	0	255	Dimmer blue 0 – 100% LED 13 – 16
19	0	255	Dimmer white 0 – 100% LED 13 - 16

## 6.6. DMX mode 5 (32 channels)

Channel	Value from	Value to	Function
1	0	255	Dimmer red 0 – 100% LED 1 – 2
2	0	255	Dimmer green 0 – 100% LED 1 – 2
3	0	255	Dimmer blue 0 – 100% LED 1 – 2
4	0	255	Dimmer white 0 – 100% LED 1 – 2
5	0	255	Dimmer red 0 – 100% LED 3 -4
6	0	255	Dimmer green 0 – 100% LED 3 – 4
7	0	255	Dimmer blue 0 – 100% LED 3 – 4
8	0	255	Dimmer white 0 – 100% LED 3 – 4
9	0	255	Dimmer red 0 – 100% LED 5 – 6
10	0	255	Dimmer green 0 – 100% LED 5 – 6
11	0	255	Dimmer blue 0 – 100% LED 5 – 6
12	0	255	Dimmer white 0 – 100% LED 5 – 6
13	0	255	Dimmer red 0 – 100% LED 7 – 8
14	0	255	Dimmer green 0 – 100% LED 7 – 8
15	0	255	Dimmer blue 0 – 100% LED 7 – 8
16	0	255	Dimmer white 0 – 100% LED 7 – 8
17	0	255	Dimmer red 0 – 100% LED 9 – 10
18	0	255	Dimmer green 0 – 100% LED 9 – 10

19	0	255	Dimmer blue 0 – 100% LED 9 – 10
20	0	255	Dimmer white 0 – 100% LED 9 – 10
21	0	255	Dimmer red 0 – 100% LED 11 – 12
22	0	255	Dimmer green 0 – 100% LED 11 – 12
23	0	255	Dimmer blue 0 – 100% LED 11 – 12
24	0	255	Dimmer white 0 – 100% LED 11 – 12
25	0	255	Dimmer red 0 – 100% LED 13 – 14
26	0	255	Dimmer green 0 – 100% LED 13 – 14
27	0	255	Dimmer blue 0 – 100% LED 13 – 14
28	0	255	Dimmer white 0 – 100% LED 13 – 14
29	0	255	Dimmer red 0 – 100% LED 15 – 16
30	0	255	Dimmer green 0 – 100% LED 15 – 16
31	0	255	Dimmer blue 0 – 100% LED 15 – 16
32	0	255	Dimmer white 0 – 100% LED 15 - 16

### 6.7. DMX mode 6 (35 channels)

Channel	Value from	Value to	Function
1	0	7	Dimmer
	8	15	Automatic program 1
	16	23	Automatic program 2
	24	31	Automatic program 3
	32	39	Automatic program 4
	40	47	Automatic program 5
	48	55	Automatic program 6
	56	63	Automatic program 7
	64	71	Automatic program 8
	72	79	Automatic program 9
	80	87	Automatic program 10
	88	95	Automatic program 11
	96	103	Automatic program 12
	104	111	Automatic program 13
	112	119	Automatic program 14
	120	127	Automatic program 15
	128	135	Automatic program 16
	136	143	Automatic program 17
	144	151	Automatic program 18
	152	159	Automatic program 19
	160	167	Automatic program 20
	168	175	Automatic program 21
	176	183	Automatic program 22
	184	191	Automatic program 23
	192	199	Automatic program 24
	200	207	Automatic program 25
	208	215	Automatic program 26
216	223	Automatic program 27	

	224	231	Automatic program 28
	232	239	Automatic program 29
	240	247	Automatic program 30
	248	255	Automatic program 31
2	0	255	Strobe slow – fast
3	0	255	Dimmer 0 – 100%
4	0	255	Dimmer red 0 – 100% LED 1 – 2
5	0	255	Dimmer green 0 – 100% LED 1 – 2
6	0	255	Dimmer blue 0 – 100% LED 1 – 2
7	0	255	Dimmer white 0 – 100% LED 1 – 2
8	0	255	Dimmer red 0 – 100% LED 3 – 4
9	0	255	Dimmer green 0 – 100% LED 3 – 4
10	0	255	Dimmer blue 0 – 100% LED 3 – 4
11	0	255	Dimmer white 0 – 100% LED 3 – 4
12	0	255	Dimmer red 0 – 100% LED 5 – 6
13	0	255	Dimmer green 0 – 100% LED 5 – 6
14	0	255	Dimmer blue 0 – 100% LED 5 – 6
15	0	255	Dimmer white 0 – 100% LED 5 – 6
16	0	255	Dimmer red 0 – 100% LED 7 – 8
17	0	255	Dimmer green 0 – 100% LED 7 – 8
18	0	255	Dimmer blue 0 – 100% LED 7 – 8
19	0	255	Dimmer white 0 – 100% LED 7 – 8
20	0	255	Dimmer red 0 – 100% LED 9 – 10
21	0	255	Dimmer green 0 – 100% LED 9 – 10
22	0	255	Dimmer blue 0 – 100% LED 9 – 10
23	0	255	Dimmer white 0 – 100% LED 9 – 10
24	0	255	Dimmer red 0 – 100% LED 11 – 12
25	0	255	Dimmer green 0 – 100% LED 11 – 12
26	0	255	Dimmer blue 0 – 100% LED 11 – 12
27	0	255	Dimmer white 0 – 100% LED 11 – 12
28	0	255	Dimmer red 0 – 100% LED 13 – 14
29	0	255	Dimmer green 0 – 100% LED 13 – 14
30	0	255	Dimmer blue 0 – 100% LED 13 – 14
31	0	255	Dimmer white 0 – 100% LED 13 – 14
32	0	255	Dimmer red 0 – 100% LED 15 – 16
33	0	255	Dimmer green 0 – 100% LED 15 – 16
34	0	255	Dimmer blue 0 – 100% LED 15 – 16
35	0	255	Dimmer white 0 – 100% LED 15 – 16



## 7. Technical data

<b>Power supply</b>	
Voltage	100 – 240 V AC / 50-60 Hz
Power consumption max.	128 W
<b>Light source</b>	
LM type	LED 4in1
Color spectrum	RGBW
Power	128 W
Number / Power	16 x 8W
<b>Optics</b>	
Beam angle	30°
<b>Connections</b>	
Power in	IP65
Power out	IP65
XLR in/out	3pol
<b>Controlling</b>	
Sound-to-Light	No
Automatic	Yes
Master-Slave	Yes
DMX512	Yes
Number of channels	1 / 4 / 7 / 19 / 32 / 35 channels
<b>Hardware</b>	
Protection class	IP65
Suitability	Outdoor
Dimensions (L/B/H)	1068,73 x 68,66 x 104 mm
Weight	6,0 kg





**Importer:**

**B & K Braun GmbH**  
**Industriestraße 2**  
**D-76307 Karlsbad**  
[www.bkbraun.com](http://www.bkbraun.com)  
[info@bkbraun.com](mailto:info@bkbraun.com)

