

IRIDIUM

User manual

CODE 114363
STAGE PAR 14Z - Zoom
14 x 15W



Import :

GEMAR **LUMITEC**

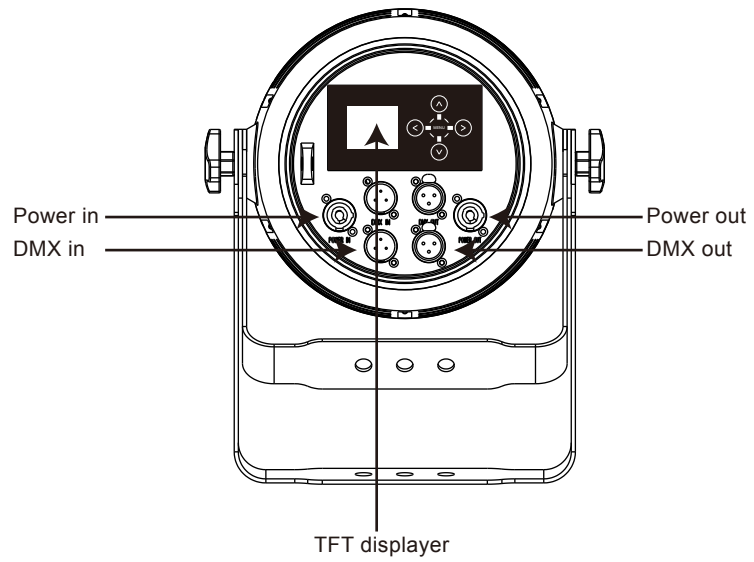
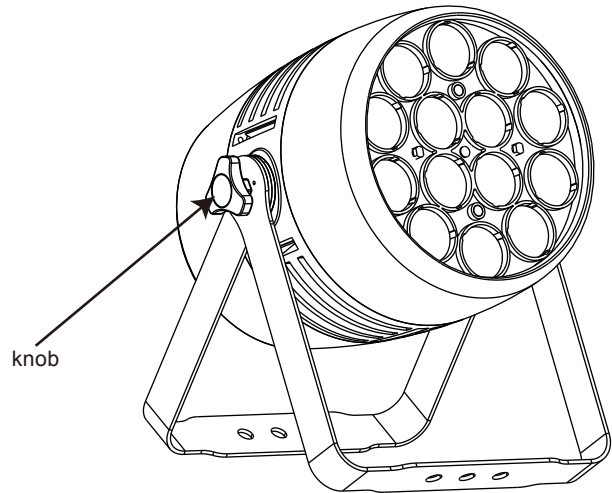
13 Rue Alfred Kastler - ZI
67850 HERRLISHEIM
FRANCE

Tel: +33 3 88 96 80 90
Fax: +33 3 88 96 48 46
info@gemarlumitec.fr
www.gemarlumitec.fr

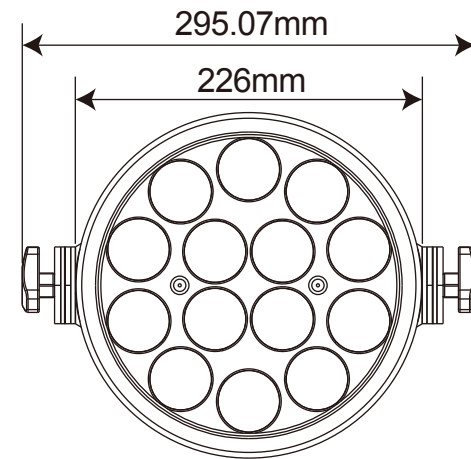
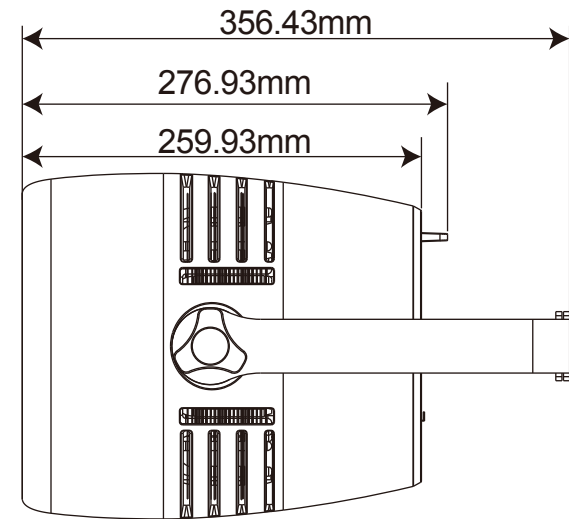


Please read carefully before use

Product Overview



Mechanical Specification



Unpacking: Thank you for purchasing the AH052. Every AH052 has been tested and shipped in perfect operating condition. Carefully check the shipping carton for damage that may have occurred during shipping. If the carton appears to be damaged, carefully inspect your fixture for any damage and be sure all equipment necessary to operate the unit has arrived intact. In the event damage has been found or parts are missing, please contact our toll free customer support number for further instructions. Please do not return this unit to your dealer without contacting customer support first.

Introduction: The AH052 is a DMX intelligent zoom par. The AH052 can be a 3channel, 7channel, 10channel, 12channel, or 14 Channel DMX unit. The fixture can operate in three different operating modes; show mode, sound-active or under DMX control. The AH052 can be used as a stand unit or in a master/slave configuration. For best effect, you can use fog or special effects smoke to enhance the projection of the beams.

Warning! To prevent or reduce the risk of electrical shock or fire, do not expose this unit to rain or moisture.

Warning! This may cause severe eye damage. Avoid looking directly into the light source at all times.

DMX Set Up

Your cables should be made with a male and female XLR connector on either end of the cable. Also remember that DMX cable must be daisy chained and cannot be split.

Notice: Be sure to follow figures two and three when making your own cables. Do not use the ground lug on the XLR connector. Do not connect the cable's shield conductor to the ground lug or allow the shield conductor to come in contact with the XLR's outer casing. Grounding the shield could cause a short circuit and erratic behavior.

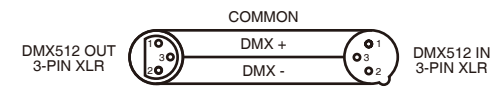


Figure 2

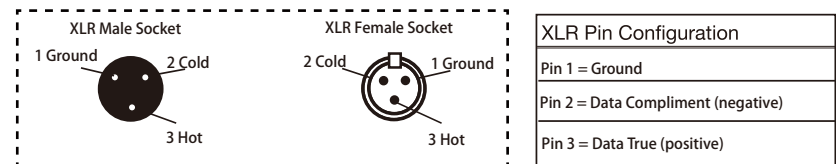


Figure 3

Special Note: Line Termination. When longer runs of cable are used, you may need to use a terminator on the last unit to avoid erratic behavior. A terminator is a 110-120 ohm 1/4 watt resistor which is connected between pins 2 and 3 of a male XLR connector (DATA + and DATA -). This unit is inserted in the female XLR connector of the last unit in your daisy chain to terminate the line. Using a cable terminator (ADJ part number Z-DMX/T) will decrease the possibilities of erratic behavior.



Termination reduces signal errors and avoids signal transmission problems and interference. It is always advisable to connect a DMX terminal, (Resistance 120 Ohm 1/4 W) between PIN 2 (DMX-) and PIN 3 (DMX+) of the last fixture.

Figure 4

14 DMX Channel

DMX Channel	Value	Function
1	0—255	Master dimmer
2	0—255	red
3	0—255	green
4	0—255	blue
5	0—255	white
6	0—49	Default dimmer
	50—99	dimmer speed 1
	100—149	dimmer speed 2
	150—199	dimmer speed 3
	200—255	dimmer speed 4
7	0—255	10 kinds of different color temperature white
8	0—255	strobe
9	0—255	zoom min to max
10	0—255	zoom speed slow to fast
11	0—255	ID number(0 - 66)
12	0 -- 7	Default
	8—10	program 1
	11—20	program 2
	21—30	program 3
	31—40	program 4
	41—50	program 5
	51—60	program 6
	61—70	program 7
	71—80	program 8
	81—90	program 9
	91—100	program 10
	101—110	Sound 1
	111—120	Sound 2
121—255	sound 3	
13	0—255	auto speed,sound sensitivity
14	0—255	motor reset

Features

OPTICS

- Beam aperture: 8° to 40°
- High-efficiency 42mm PMMA secondary optics

LIGHT SOURCE

- 14 *15W RGBW,quad led.
- Rated Sources life: up to 50.000 hours
- Flicker free sources Management, convenient for TV applications and all video recorded events

DIMMER / STROBE

- Electronic dimmer, allowing perfect light adjustment from 0 to 100%
- White or colour strobe effect, from 1 to 25 flashes per second

HARDWARE FACILITIES

- Graphic LCD Display for addressing and special functions settings, with flip function
- 5 menu buttons to set the functions
- Over temperature protection
- XLR 5 pin and 3 pin connectors for DMX connections
- Choice of 5 DMX Modes (2,4,6,12,14channels)

POWER SUPPLY

- Electronic supply with active PFC
- 110 to 240 Volts – 50/60Hz
- Power 250 Watt max

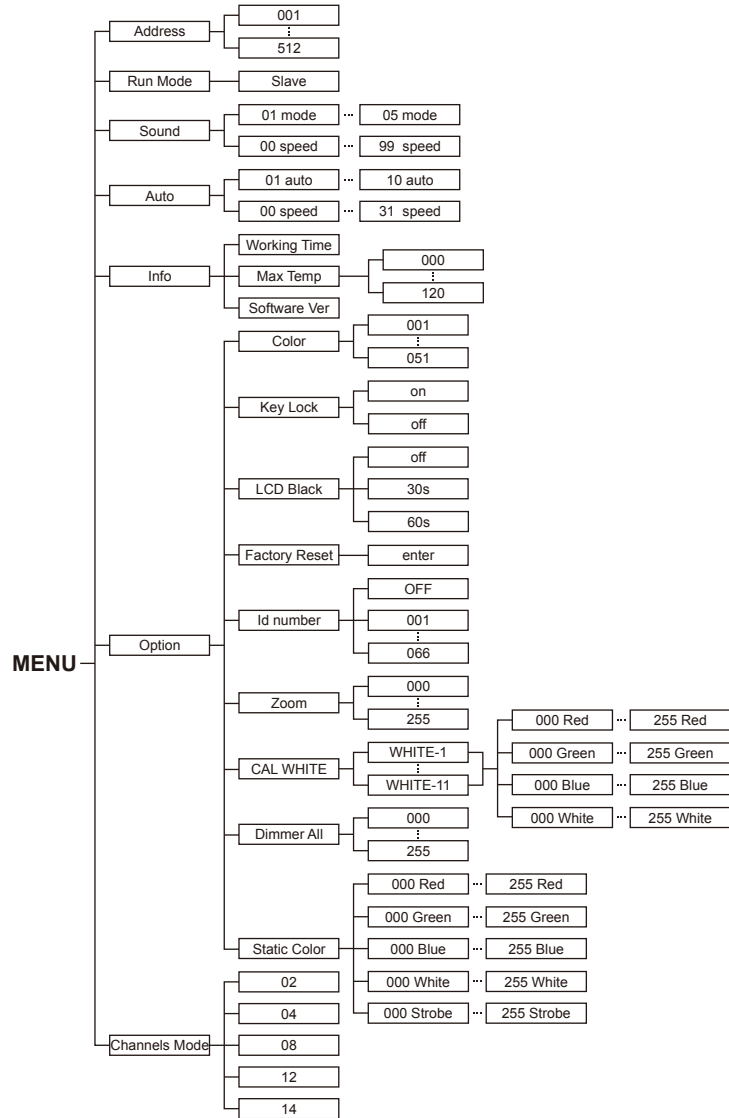
COOLING SYSTEM

- Advanced ventilation cooling system based on Heatpipe technology
- Self adjusting speed fans for quiet operation
- Safety protection against temperatures excesses

HOUSING

- Body in die-cast aluminium
- Control Panel in Tempered glass
- IP20 protection index
- Size: 295(L)x226(W)x356(H)mm

On Board System



4 DMX Channel

DMX Channel	Value	Function
1	0—255	Hue
2	0—255	Staturation
3	0—255	Value(brightness)
4	0—255	zoom min to max

8 DMX Channel

DMX Channel	Value	Function
1	0—255	Master dimmer
2	0—255	red
3	0—255	green
4	0—255	blue
5	0—255	white
6	0—255	strobe
7	0—255	zoom
8	0—255	zoom speed slow to fast

12 DMX Channel

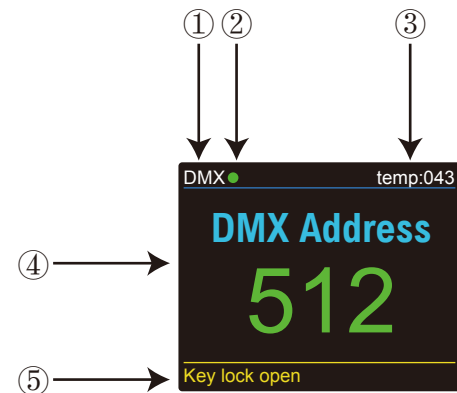
DMX Channel	Value	Function
1	0—255	Master dimmer
2	0—255	red
3	0—255	green
4	0—255	blue
5	0—255	white
6	0—49	Default dimmer
	50—99	dimmer speed 1
	100—149	dimmer speed 2
	150—199	dimmer speed 3
	200—255	dimmer speed 4
7	0—255	strobe slow to fast
8	0—255	zoom
9	0—255	zoom speed slow to fast
10	0 -- 7	Default
	8—10	program 1
	11—20	program 2
	21—30	program 3
	31—40	program 4
	41—50	program 5
	51—60	program 6
	61—70	program 7
	71—80	program 8
	81—90	program 9
	91—100	program 10
	101—110	Sound 1
111—120	Sound 2	
121—255	sound 3	
11	0—255	auto speed,sound sensitivity
12	0—255	motor reset

DMX control mode

2 DMX Channel

DMX Channel	Value	Function
	0-4	off
	5-9	RGBW
	10-14	RED
	15-19	BLUE
	20-24	YELLOW
	25-29	CYAN
	30-34	MAGENTA
	35-39	WHITE
	40-44	ORANGE
	45-49	PINK
	50-54	VIOLET
	55-59	AQUA
	60-64	SKY BLUE
	65-69	FULL WHITE
	70-74	COLL WHITE
	75-79	WARM WHITE
	80-84	WHITE 3200
	85-89	WHITE 2500
	90-94	YELLOW 2
	95-99	STRAW
	100-104	ORANGE
	105-109	LIGHT ROSE
	110-114	DARK PINK
1	115-119	MAGENTA
	120-124	BLUE 2
	125-129	MED BLUE GREEN
	130-134	DARK BLUE
	135-139	BRIGHT PINK
	140-144	MEDIUM BLUE
	145-149	GOLDEN AMBER
	150-154	DEEP GOLDEN AMBER
	155-159	PALE LAVENDER
	160-164	APRICOT
	165-169	DARK LAVENDER
	170-174	CHOCOLATE
	175-179	JUST BLUE
	180-184	SURPRISE PINK
	185-189	SCARLET
	190-194	SURPRISE PEACK
	195-199	FIRE
	200-204	ENGLISH ROSE
	205-209	MAUVE
	210-214	BRIGHT BLUE
	215-219	ALICE BLUE ROSCO
	220-224	ROSE INDIGO ROSCO
	225-229	URBAN BLUE ROSCO
	230-234	COOL BLUE ROSCO
	235-239	LIGHT SALMON ROSCO
	240-244	MAYAN SUN ROSCO
	245-249	CHERRY ROSE ROSCO
	250-255	FLESH PINK ROSCO
2	0-255	Zoom min to max

Displayer introduction



1. DMX means the light is in the DMX mode. Similarly, SLAVE means the light is in the SLAVE mode.
2. The color of the point shows the condition of signal transmission. Green represents the good condition, while red represents the signal is interrupted.
3. The item shows the working temperature of the light. When the working temperature exceeds the max temperature, the color of the letters and number will change from white to yellow.
4. This item shows the menu you selected.
5. This item shows the condition of key lock. "Key lock open" means the key lock is open. And "Key lock off" means the key lock is close.

Address - DMX Address Setting via control board

1. Press “>” button ,then press the “^” button or “v” button until “Address” is showed.
2. Press “>” button ,“xxx” is showed,“xxx” represents the showed address.Then press “MENU” to confirm the item.Next press the “^” or “v” button to select your desired address.

Run Mode - In this menu, you can select the Master/slave mode.

1. Press “>” button ,then press the “^” button or “v” button until “Run Mode” is showed.
2. Press “>” button again,then“slave” is showed, and Slave mode is confirmed. It will perform following the fixture in auto mode, sound mode and chase mode.

Auto - In this menu you can select your desired Auto mode.

1. Press “>” button ,then press the “^” button or “v” button until “Auto” is showed.
2. Press “>” button again,then“xx auto” or “xx speed” is showed.
3. Press the “^” button or “v” button to find the “xx auto”.Then press “MENU” to confirm the item.Press the “^” button or “v” button to select your desirable auto mode.
4. Press “<” button,then press “^” button or “v” button to find the “xx speed”.Press “MENU” to confirm the item.Next press the “^” button or “v” button to adjust the speed of auto mode.

Sound - In this menu, you can select your desired sound mode.

1. Press “>” button ,then press the “^” button or “v” button until “Sound” is showed.
2. Press “>” button again,then“xx mode” or “xx speed” is showed.
3. Press the “^” button or “v” button to find the “xx auto”.Then press “MENU” to confirm the item.Next press the “^” button or “v” button to select your desirable auto mode.
4. Press “<” button,then press “^” button or “v” button to find the “xx speed”.Press “MENU” to confirm the item.Next press the “^” button or “v” button to adjust the speed of sound mode.

Channels mode - You can select your desired channel in this menu.

1. Press “>” button ,then press the “^” button or “v” button until “Channels mode” is showed.
2. Press “>” button again,then“Channel mode xx”is showed.Press “MENU” to confirm the item.Next press the “^” button or “v” button to select your desirable channel mode.

Option-Set the data of fixture.

1. Press “>” button ,then press the “^” button or “v” button until “Option” is showed.
2. Press “>” button again,then you can find six items and adjust the data of them.
 - (1)color - In this menu, you can select your desired color mode.
 - 1)Press “^” button or “v” button until “color” is showed, then press “>” button.
 - 2)“xxx” representing a number between 001~051 will be showed. Press “MENU” to confirm the item.Then press the “^” or “v” buttons to select your desired color.
 - (2)static color - In this menu, you can set your desired static color mode and strobe mode
 - 1)Press the “^” button or “v” button until “static color” is showed, then press “>” button.
 - 2)There will be five options. Press “MENU” button to confirm the option and then press “^” or “v” button to set the data you desire as below.
 - ① red(000 ~ 255)
 - ② green(000 ~ 255)
 - ③ blue(000 ~ 255)
 - ④ white(000 ~ 255)
 - ⑤ strobe(000 ~ 255)

(3)Dim All - In this menu,you can set the brightness of the full color

- 1)Press the “^” button or “v” button until “Dim color” is showed, then press “>” button.
- 2)“xxx” representing the brightness of full color between 000~255 will be showed. Press “MENU” to confirm the item.Then press the “^” or “v” buttons to set the brightness.

(4)CAL WHITE - In this menu,you can set 11 kind of color temperature white by setting the data of RED, GREEN, BLUE and WHITE.

- 1)Press the “^” button or “v” button until “Dim color” is showed, then press “>” button.
- 2)“xxx” representing the brightness of full color between 000~255 will be showed. Press “MENU” to confirm the item.Then press the “^” or “v” buttons to set the brightness.

(5)Zoom - In this menu,you can set the zoom angle from 8°to 60°.

- 1)Press the “^” button or “v” button until “Zoom” is showed, then press “>” button.
- 2)“xxx” referring the zoom angle between 000~255 will be showed. Press “MENU” to confirm the item.Then press the “^” or “v” buttons to set the zoom angle.

(6)ID number - In this menu,you can set the ID number.When you set the ID number,you can control the fixture separately via DMX controller.

- 1)Press the “^” button or “v” button until “ID number” is showed, then press “>” button.
- 2)“OFF” or “xx” will be showed. “xx” represent the ID number between 1~66.Press “MENU” to confirm the item.Then press the “^” or “v” buttons to set the ID number.

(7)Factory Reset - In this menu,you can reset the fixture.

- 1)Press the “^” button or “v” button until “Factory Reset” is showed, then press “>” button.
- 2)Press “MENU” to reset the fixture.

(8)LCD Black - In this menu,you can set the LCD BLACK time.

- 1)Press the “^” button or “v” button until “LCD Black” is showed, then press “>” button.
- 2)You will find three selections,“off”,“30s” and “60s”.Press “MENU” to confirm the item.Then press the “^” or “v” buttons to select the option.
 - “off” represents the displayer will be on all the time.
 - “30s” represents the displayer will be off if the there is no operation with the fixture over 30 seconds.
 - “60s” represents the displayer will be off if the there is no operation with the fixture over 60 seconds.

(9)Key Lock - In this menu,you can set the key lock function.

- 1)Press the “^” button or “v” button until “Key Lock” is showed, then press “>” button.
- 2)You will find three selections,“off” or “on”.Press “MENU” to confirm the item.Then press the “^” or “v” buttons to select the option.
 - “off” represents the key lock function is off.And you do not need to input the password before the operation.
 - “on” represents the key lock function is open.And you need to input the password before the operation.

Info - You can check some information of the fixture in this menu.

1. Press “>” button ,then press the “^” button or “v” button until “Info” is showed.
2. Press “>” button again, you will find three options,“Working time”,“Software Ver” and “Max Temp”.Then press the “^” button or “v” button to check the information.
 - “Working time” represents the lasting time the fixture has been working.
 - “Software Ver” represents the software version of the fixture.
 - “Max Temp” represents the maximum temperature.The cooling system will start working when the operating temperature of fixture is around the maximum temperature.